

NEW

PROFITEK IP

Industrial VoIP System

ProfiTel IP industrial telephones – new models



NEW

PROFITEK IP

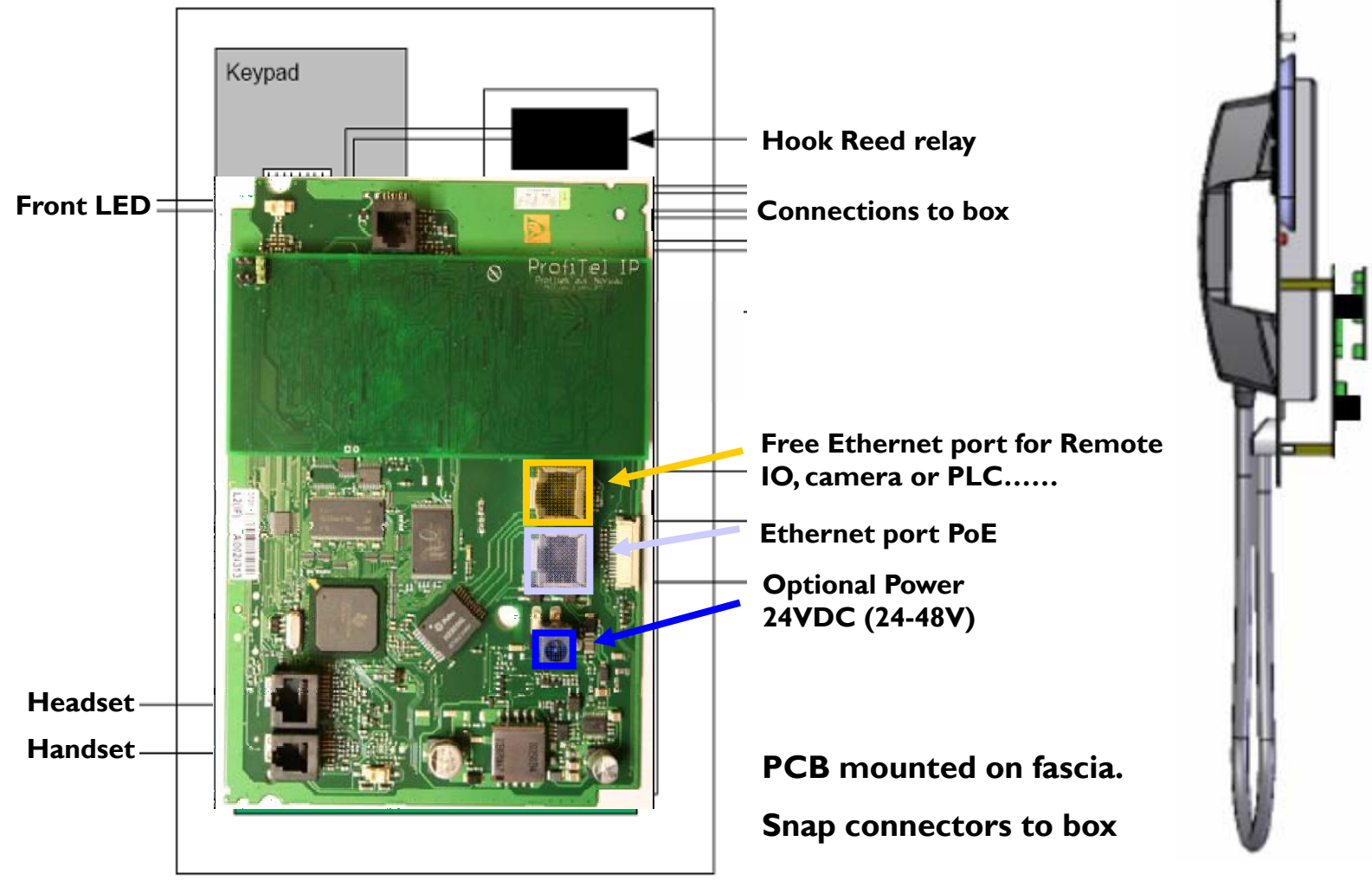
Industrial VoIP System

- **Weatherproof IP65 (water, dust)**
- **Made of stainless steel.**
- **Power PoE or local power**
- **24- 48VDC (Option 24VDC UPS)**
- **1 free Ethernet port (Remote IO, camera, PLC)**
- **Status LED**
- **Acoustic fault alarm**
- **Manageable**
- **Auto/mass configuration support**
- **Full remote control of all phone functions.**
- **Upgradeable platform**
- **External beacon & hooter (option)**
- **External PA loudspeaker (option)**
- **Remote I/O (option)**



NEW PROFITEL IP

Industrial VoIP System



NEW PROFITEL IP

Industrial VoIP System

Option – fiber converter/switch

